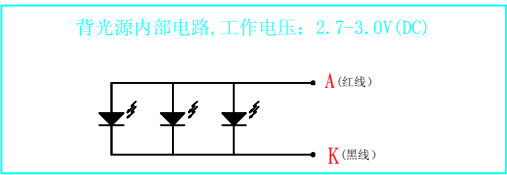
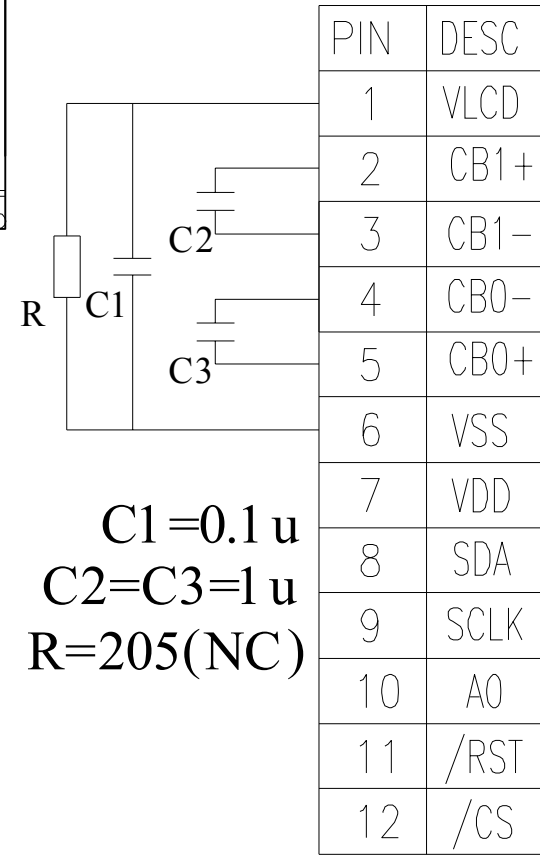
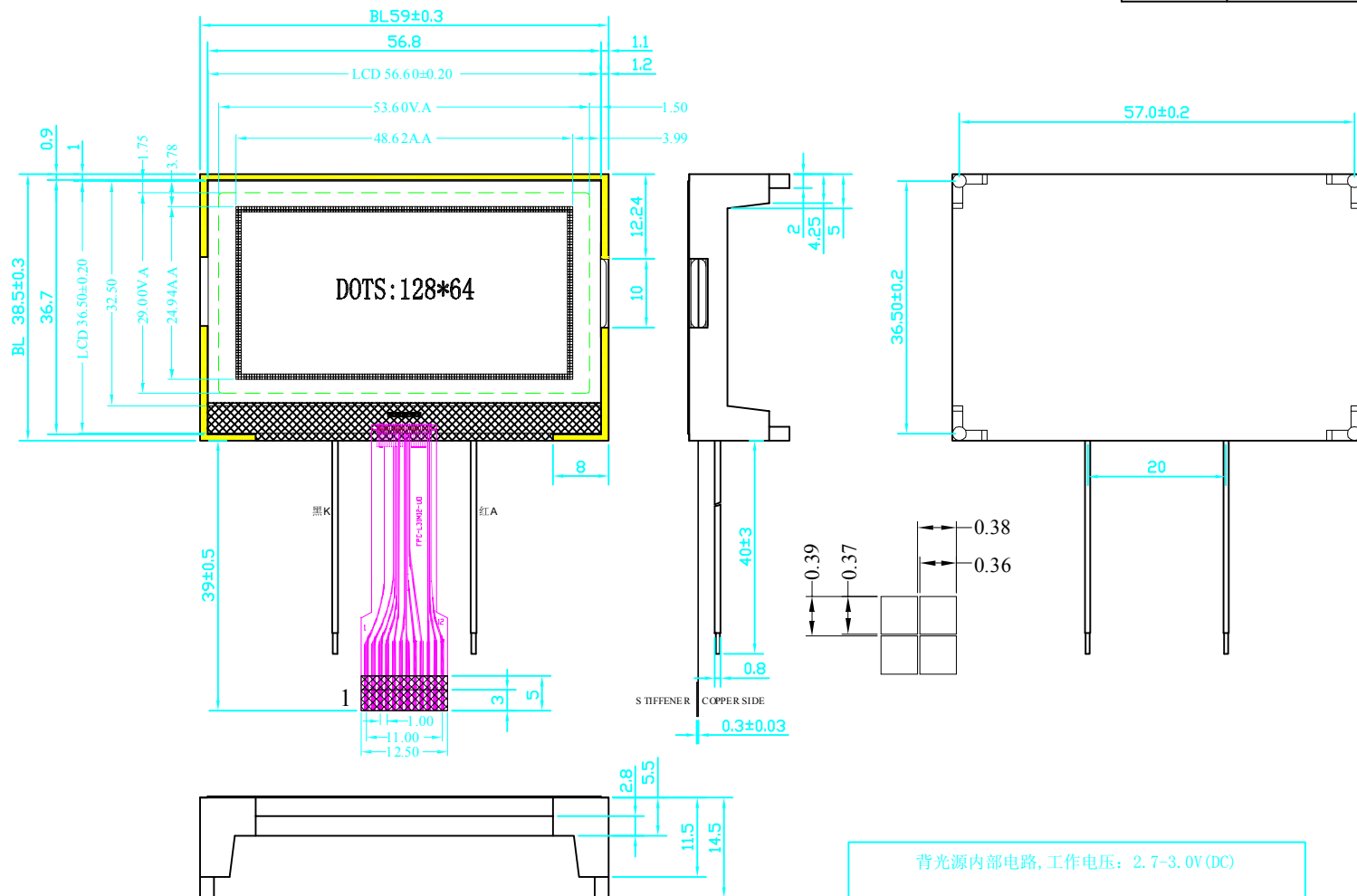


由Autodesk 教育版产品制作

REV:	DESCRIPTION	BY	DATE



NOTES:

- | | |
|---------------------------|-----------------------------|
| 1. DISPLAY TYPE: | FSTN/POSITIVE |
| 2. OPERATING VOLTAGE: | VDD=2.8~3.3V |
| 3. OPERATING TEMPERATURE: | -10°C~60°C |
| 4. STORAGE TEMPERATURE: | -20°C~70°C |
| 5. DRIVE MODE: | 1/64D,1/9B/9.0V |
| 6. VIEWING DIRECTION: | 6:00 |
| 7. POLARIZER TYPE: | TRANSFLECTIVE |
| 8. CONNECTOR: | COG/ST7567 |
| 9. BACKLIGHT TYPE: | WHITE/3 LED/IF=45mA,VF=3.0V |

SHEET: 1 of 1	
APPROVALS	DATE
DWN LJJ	20150918
CHK	
APP	

深圳市希恩凯电子有限公司
SHENZHEN CNK ELECTRONIC CO.,LTD.

MODEL NUMBER :	SCALE:	UNITS:
CNK12864-15034A1	GENERAL TOL:± 0.2	MM
DO NOT SCALE THIS DRAWING.		

由Autodesk 教育版产品制作